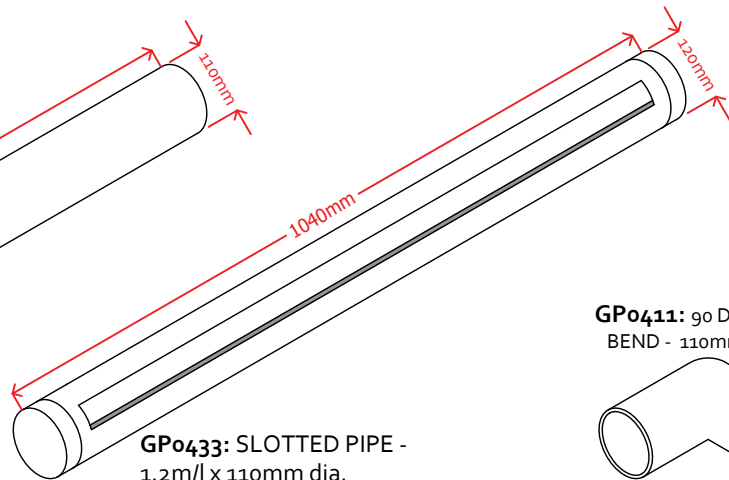
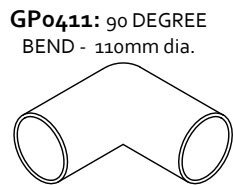


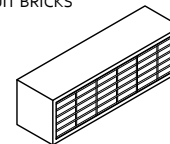
GP0425: SOLID PIPE -
1m/l x 110mm dia.



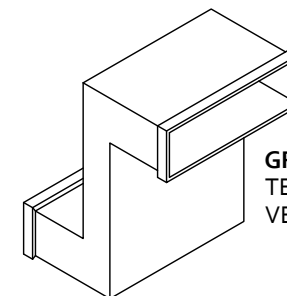
GP0433: SLOTTED PIPE -
1.2m/l x 110mm dia.



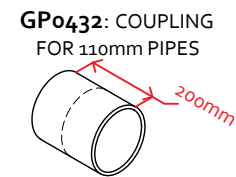
GP0411: 90 DEGREE BEND - 110mm dia.



GP0428: AIRBRICK COVER
* AVAILABLE IN VARIOUS COLOURS TO SUIT BRICKS



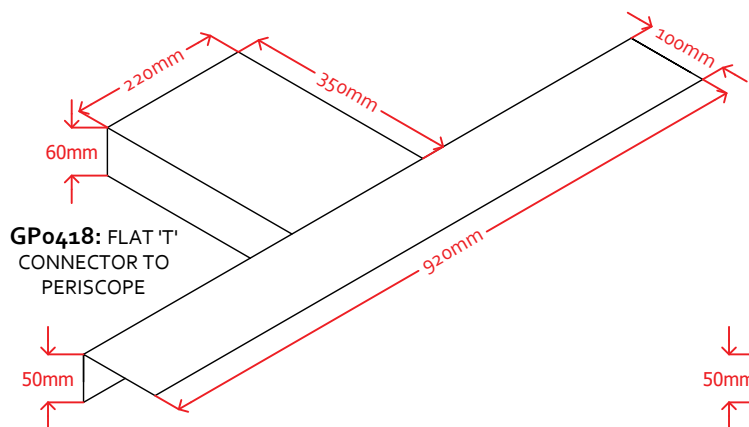
GP0426: TELESCOPIC VENT



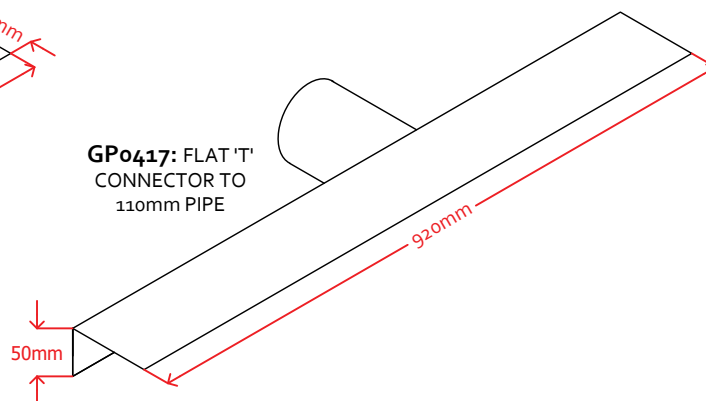
GP0432: COUPLING
FOR 110mm PIPES



GP0416: END CAP
FOR 110mm PIPES



GP0418: FLAT 'T' CONNECTOR TO PERISCOPE



GP0417: FLAT 'T' CONNECTOR TO 110mm PIPE

PART REF	QUANTITY
GP0411	
GP0416	
GP0417	
GP0418	
GP0425	
GP0426	
GP0428	
GP0432	
GP0433	

CLIENT JUTA UK LTD

PROJECT GP Vent Box & Components Standard Details



- NOTES
- Detail is Generic to Application so should be used as a guide not a specific installation detail.
 - Gas venting design should be carried out by a suitably qualified person specific to the actual site risks.
 - Ground Vent Boxes are designed for use with pedestrian traffic only.
 - Regular maintenance is required to ensure that the units are free from debris to maintain performance of the units.
 - Gas protection should be independently verified in line with BS8485: 2015 +A1: 2019 and CIRIA C735: 2014
 - All design decisions made by others that might have an impact on the gas and waterproof design performance should be brought to the attention of the design team and Juta UK Ltd. Final decisions and/or any recommendations should be approved by the design team and Juta UK Ltd.
 - Dimensions are not to be scaled from this drawing. All written measurements are to be checked on site by the contractor
 - All rights described in chapter IV of the copyright, design and patents act 1988 have been generally asserted

DRAWING TITLE **JUTA GP® VOID VENT**
PRODUCT ACCESSORIES

DRAWING NUMBER JUTA.GP-VV.005

DRAWN BY PD	CHECKED BY PF	SCALE Not to Scale	DATE Aug. 2020
-------------	---------------	--------------------	----------------



MELTON GROVE WORKS
BLACKPOOL ROAD
LYTHAM
FY8 5PL
Tel: 01772 754177