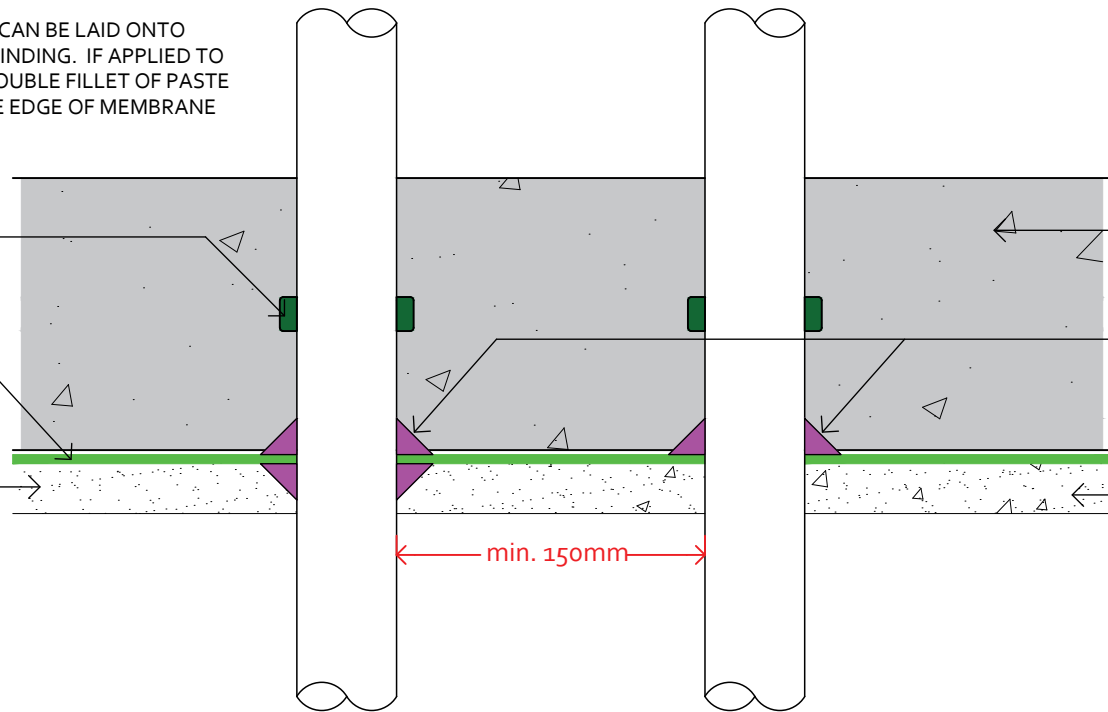


NB - JUTA HYDROLOCK CAN BE LAID ONTO SAND OR CONCRETE BLINDING. IF APPLIED TO A 'SOFT' BLINDING, A DOUBLE FILLET OF PASTE USED TO ENCAPSULATE EDGE OF MEMBRANE

**JUTA HYDROLOCK STRIP**  
APPLIED AROUND PENETRATIONS

**JUTA HYDROLOCK**  
PRE - APPLIED ONTO  
BLINDING BELOW SLAB

SAND BLINDING



REINFORCED CONCRETE  
SLAB

**HYDROLOCK PASTE**  
USED TO FORM MINIMUM  
40mm FILLET

CONCRETE BLINDING

min. 150mm

CLIENT  
JUTA UK LTD

PROJECT  
Hydrolock Standard Details

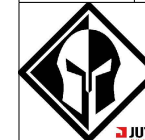


- NOTES
- Detail is generic to application so should be used as a guide not a specific installation detail. Suitability of all membranes used should be considered following review of site information and assessment against relevant legislation (i.e. BS8102:2009/BS8485:2015+A1)
  - We suggest that waterproofing membranes including JUTA Hydrolock should be installed by suitably experienced persons. Please contact JUTA for Specialist Contractors Details or method statements and installation guidance.
  - JUTA Hydrolock must only be used with reinforced concrete and we suggest that the product should be pre applied to formwork prior to pouring of concrete as this is most effective. It is possible to post apply the membrane but we suggest that this should only cover small areas where necessary (i.e top of foundation toe). Mechanical fixings (by way of nail gun) should be at min 450mm c/s and a bead of JUTA Hydrolock paste should be applied as per typical post applied vertical application details.
  - All externally applied membrane should be protected from damage prior to backfilling. This can be achieved using standard protection boards or for improved performance, JUTA PD1700 which is a fleece backed protection and drainage sheet layer which additionally creates a void between the membrane and earth to reduce the change of hydrostatic pressure onto the structure and direct any groundwater to land drain locations.
  - All design decisions made by others that might have an impact on the gas and waterproof design performance should be brought to the attention of the design team and Juta UK Ltd. Final decisions and/or any recommendations should be approved by the design team and Juta UK Ltd.
  - Dimensions are not to be scaled from this drawing. All written measurements are to be checked on site by the contractor.
  - All rights described in chapter IV of the copyright, design and patents act 1988 have been generally asserted.

DRAWING TITLE  
**JUTA HYDROLOCK**  
DOUBEL PIPE PENETRATION - SLAB APPLICATION

DRAWING NUMBER  
JUTA.HDL.009

DRAWN BY PD	CHECKED BY PF	SCALE Not to Scale	DATE Sep. 2020
----------------	------------------	-----------------------	-------------------



MELTON GROVE WORKS  
BLACKPOOL ROAD  
LYTHAM  
FY8 5PL

Tel: 01772 754177