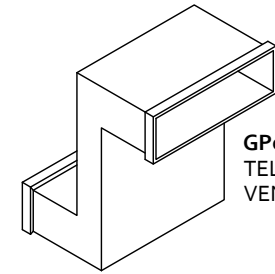
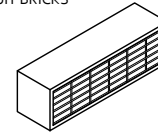
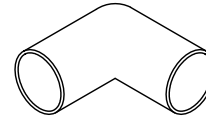


GPo428: AIRBRICK COVER
* AVAILABLE IN VARIOUS COLOURS TO SUIT BRICKS

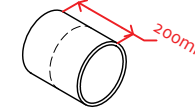


GPo426: TELESCOPIC VENT

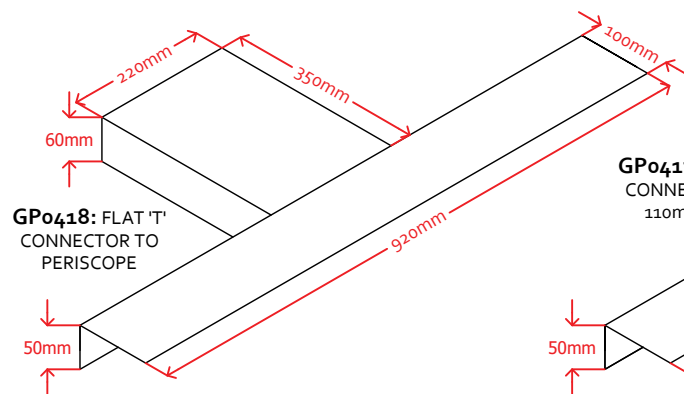
GPo411: 90 DEGREE BEND - 110mm dia.



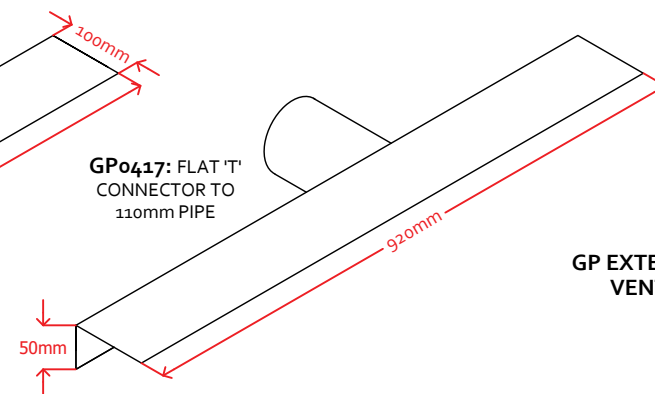
GPo432: COUPLING FOR 110mm PIPES



GPo416: END CAP FOR 110mm PIPES

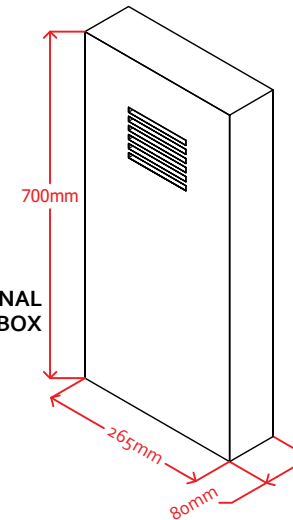


GPo418: FLAT 'T' CONNECTOR TO PERISCOPE



GPo417: FLAT 'T' CONNECTOR TO 110mm PIPE

GP EXTERNAL VENT BOX



PART REF	QUANTITY
GPo411	
GPo416	
GPo417	
GPo418	
GPo425	
GPo426	
GPo428	
GPo432	
GPo433	

CLIENT JUTA UK LTD

PROJECT GP Vent Box & Components Standard Details



- NOTES
- Detail is Generic to Application so should be used as a guide not a specific installation detail.
 - Gas venting design should be carried out by a suitably qualified person specific to the actual site risks.
 - Ground Vent Boxes are designed for use with pedestrian traffic only.
 - Regular maintenance is required to ensure that the units are free from debris to maintain performance of the units.
 - Gas protection should be independently verified in line with BS8485: 2015 +A1: 2019 and CIRIA C735: 2014
 - All design decisions made by others that might have an impact on the gas and waterproof design performance should be brought to the attention of the design team and Juta UK Ltd. Final decisions and/or any recommendations should be approved by the design team and Juta UK Ltd.
 - Dimensions are not to be scaled from this drawing. All written measurements are to be checked on site by the contractor
 - All rights described in chapter IV of the copyright, design and patents act 1988 have been generally asserted

DRAWING TITLE **JUTA GP® VOID VENT PRODUCT ACCESSORIES**

DRAWING NUMBER JUTA.GP-VV.005

DRAWN BY PD CHECKED BY PF SCALE Not to Scale DATE Aug. 2020



MELTON GROVE WORKS
BLACKPOOL ROAD
LYTHAM
FY8 5PL
Tel: 01772 754177